

FATBOXX

CE

reliable technology for the disposal of edible fats and oils



Pending patent application
Utility model nr: 20 2007 012 923.8





FATBOXX is an innovative container for the disposal of used edible fats and oils. The special design of body and lid gives many benefits to end users and waste disposal companies.

FATBOXX

Benefits for end users

- A particular feature of FATBOXX is its simple locking system: with just a movement of the hand the lid is easily closed and opened.
- The container can be filled with fat with a max. temperature of 100° C without causing deformation of the sides.
- FATBOXX is equipped with large wheels which ensure easy movement.
- The ergonomic design allows the container to be moved with an upright, healthy posture.
- The large diameter of the filling aperture makes filling particularly simple.
- The special design of the lid ensures leak proof locking of FATBOXX.
- The container is provided with an asymmetrical 30 mm diameter handle which allows optimum handling using work gloves.
- FATBOXX being made of plastic, it has a low dead weight which facilitates handling in both the empty and filled condition.
- A graduated indicator on the container enables simple invoicing on a quantity basis.





FATBOXX

Benefits for end users / operators

- Thanks to the conical shape of FATBOXX, no mechanical or thermal treatment of the contents is required for emptying. For the waste management company this means less expenditure of time, and thus low emptying costs.
- The special lid design with two locks allows FATBOXX to be opened rapidly and with very little effort.
- The leak proof seal leads to a reduction of vehicle cleaning expenses and container stands.
- The large ground clearance resulting from the standardized wheels facilitates movement on cobblestone pavements, on ice and in snow.
- FATBOXX is produced in accordance with EN 840 and can therefore be emptied using all current types of comb lifting devices.
- Thanks to the spherical bottom of FATBOXX, fats and oils with a temperature as high as 100° C will not cause deformation of the container.
- A graduated indicator on the container enables simple invoicing on a quantity basis.
- Thanks to its spherical bottom, the container has no corners or edges, which ensures easy emptying without leaving any residual material behind.
- With an integrated chip nest for transponder chips under the comb bar, the container offers excellent possibilities of identification and registration of bin data.

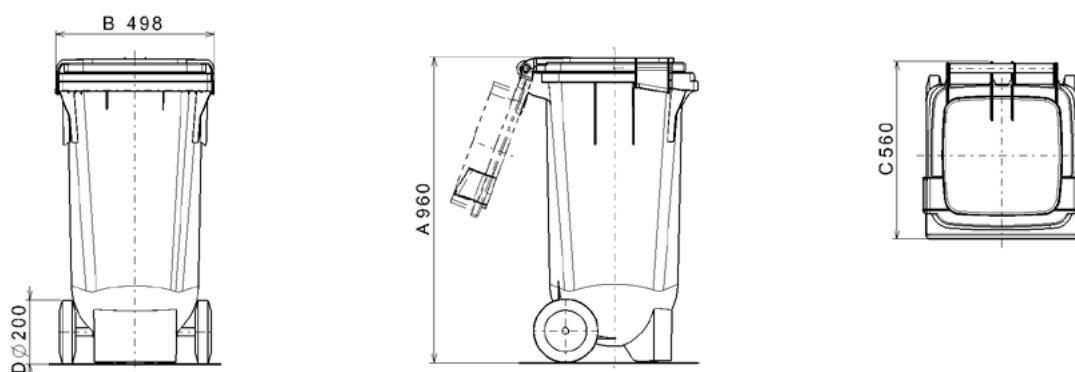


Your contribution to environmental protection

Edible fats and oils if disposed of properly can be reused for the production of various types of bio energy. Furthermore the low dead weight of FATBOXX results in a lower fuel consumption when replacing full containers with empty ones. By using FATBOXX, both you and we contribute actively to environmental protection.

FATBOX

04/08



| Technical data | Volume in litres | Height (A) mm | Width (B) mm | Depth (C) mm | Wheels Ø (D) mm | Weight kg (approx.) | Part no.: |
|----------------|------------------|---------------|--------------|--------------|-----------------|---------------------|-----------|
| MGB 120-KB | 120 | 960 | 498 | 560 | 200 | 11 | 15630120 |

KB = Waste container MGB with spherical bottom



P. HENKEL GmbH
Umwelttechnik

Siegener Straße 69
D-57223 Kreuztal
Tel.: -49 27 32/79 18 81
Fax: -49 27 32/79 18 83
www.p-henkel.de
info@p-henkel.de