

Stelo 10

Vented lockable caddy

Vented
10 litres



Simple and easy to use



Peter Ridley

Waste Systems

The Technology Centre, Station Road, Framlingham, Woodbridge, Suffolk IP13 9EZ.
tel. +44(0) 1728 726636, fax: +44(0) 1728 726637, email: office@peterridley.co.uk, website: www.peterridley.co.uk



Stelo 10

Vented lockable caddy

Stelo 10

is a completely ventilated 10 litre caddy for use with breathable compostable bio-bags, to improve food waste segregation and collection:

- **Avoids** unpleasant smells caused by anaerobic bacterial activity;
- **Prolongs** the storage period in the kitchen;
- **Avoids** the build up of liquids at the base, improving the bag performance;
- **Reduces** within a few days the moisture and the weight of the food waste by evaporation;
- **Improves** the safety and hygiene of the whole collection system and the quality of compostable waste material sent to the composting plant.



Technical details

- Capacity: c.a. 10 litres
- Made of recyclable PP
- May be hung inside a cupboard door
- Vertical handle with lid locking mechanism
- Hinged perforated lid for ventilation
- Lowered hinges
- Radius corner to allow a sack to be suspended in the caddy
- PP handle with lid locking mechanism
- Standard colours: brown, olive green, moss green, royal blue, pigeon blue, pastel turquoise (other colours on request)

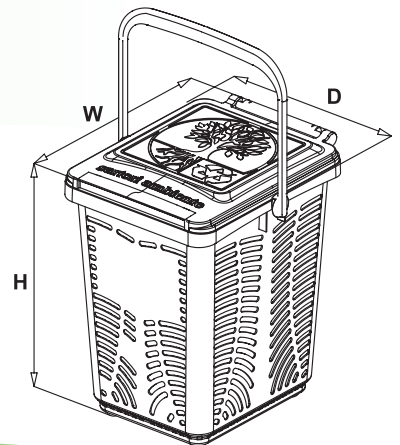
Width W (mm)	Depth D (mm)	Height H (mm)
238*	275	320

*With handle

The manufacturer reserves the right to apply technical and aesthetical changes without notice

Optional

- Metal handle (no lid locking mechanism)
- Hot foil printing on the front body



Peter Ridley

Waste Systems

The Technology Centre, Station Road, Framlingham, Woodbridge, Suffolk IP13 9EZ.
tel: +44(0) 1728 726636, fax: +44(0) 1728 726637, email: office@peteridley.co.uk, website: www.peteridley.co.uk

