

Urba Plus

35/40 litres

*Separate
waste
collection
is no longer
a question
of space,
but just
a matter
of will*



Peter Ridley

Waste Systems

The Technology Centre, Station Road, Framlingham, Woodbridge, Suffolk IP13 9EZ.

tel: +44(0) 1728 726636, fax: +44(0) 1728 726637, email: office@peterridley.co.uk, website: www.peterridley.co.uk



Urba Plus

safe
stable
stacking

Separate waste collection is no longer a question of space, but just a matter of will

sartori ambiente s.r.l. helps you recycle more with the new *Urba plus*, a new generation of door-to-door collection containers.

2 or 3 containers can be securely stacked in the space of 1, in a stable tower. Filling is easy with the lid flap, without the need to move the bins.

The full capacity of the bin can be utilised with improved efficiency, easy handling and better quality of material segregation.

PRACTICAL AND STURDY

Urba plus maintains all of the features of other Urba containers, with **strong handle** and shaped grip, **hinged lid with locking mechanism** and a **hand grip** on the base. **Firm pivots** prevent the vertical handle from being easily knocked down.



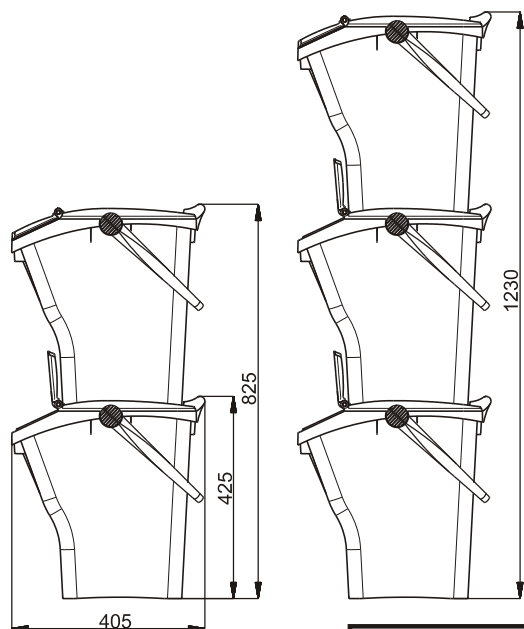
Urba Plus

Technical features:

- 35/40 litres
- Made of recyclable PP or recycled PP
- Stabilised against the effects of UV light
- Resistant to chemical detergents and biological matter
- Double hinged lid with lid locking mechanism
- Double hinged front flap on the lid allows filling when containers are stacked
- Ridged lid recess for safe stable stacking
- Standard colours: olive green, blue, yellow, moss green, brown.

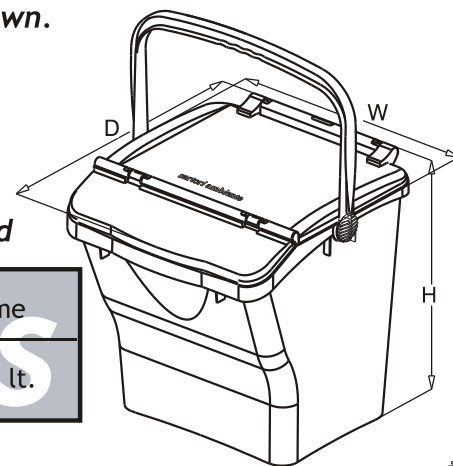
Options:

- Dark green or grey in recycled material
- White, red colour
- Microchip insertion
- Photo injection printing on lid



Height (H)	Width (W)	Depth (D)	Volume
445* mm	420 mm	405 mm	ca. 40 lt.

* with handle



The manufacturer reserves the right to apply technical and aesthetical changes without notice



Peter Ridley

Waste Systems

The Technology Centre, Station Road, Framlingham, Woodbridge, Suffolk IP13 9EZ.

tel: +44(0) 1728 726636, fax: +44(0) 1728 726637, email: office@peterridley.co.uk, website: www.peterridley.co.uk

